

BRACE HOOK



Design

Cast brass wall hook allows for items to be hung through the bottom loop or over the larger ring.

Material & Finish

Finish intentionally reveals some evidence of the casting process.

Special Notes

Includes two flat head brass mounting screws and plastic wall anchors.

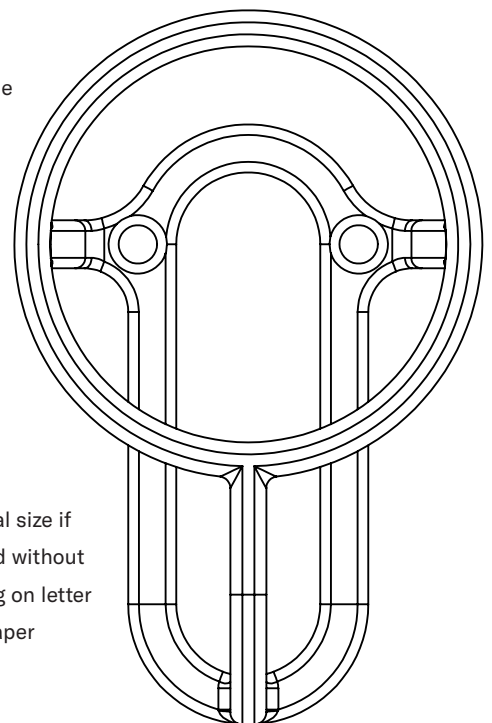
List Pricing

WS \$26 MSRP \$52

Standard Dimensions

L 2.5" x W 2.5" x H 4"

1:1 Scale



*Actual size if printed without scaling on letter size paper